

# KLP<sup>®</sup> Combi Pile Planking



**KLP<sup>®</sup> Combi Pile Planking** offers you a cost effective and sustainable solution with respect to bank support. The KLP<sup>®</sup> Combi Pile Planking consists of PEFC certified wooden pine planks (strength class C24) with plastic covered tops.

The advantages of KLP<sup>®</sup> Combi Pile Planking are that where water and air meet rotting will no longer take place and that it does not require maintenance. The result of combining plastics and wood is an extraordinarily stiff sheet piling plank. A really durable cost effective and sustainable solution.

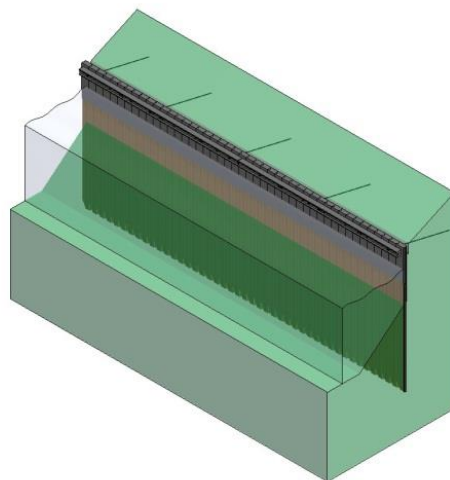


KLP<sup>®</sup> Combi Pile Planking is subject to sustainability class 1 and has an expected technical lifetime of at least 50 years.

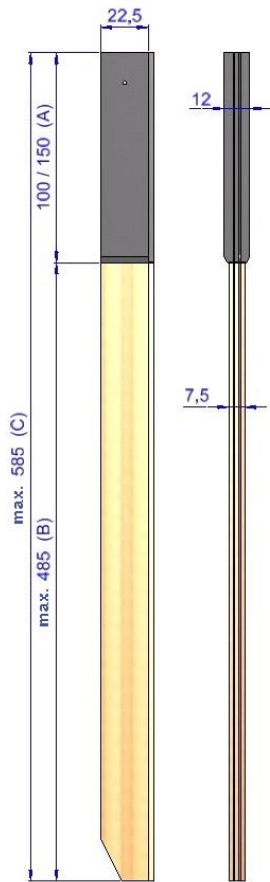
KLP<sup>®</sup> recycled plastics will last for decades, do not rot or splinter, do not contain poisonous substances and are maintenance free. Plus, KLP<sup>®</sup> is also extremely environmentally friendly because no chemical seepage into the surface or groundwater takes place.



KLP<sup>®</sup> has the charming appearance and usability of wood. It can easily be sawn, drilled, planed, nailed, stapled and screwed.



*Durable & Environmentally friendly*



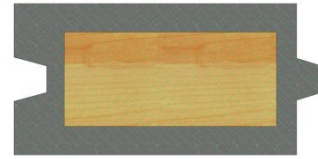
Type 12/7,5

The simple design of the tongue & groove wood and plastic means they will fit together seamlessly, enabling the boards to be easily slid together.

The boards can be pushed, piled or vibrated in the ground with standard equipment, without the top of the board being damaged.

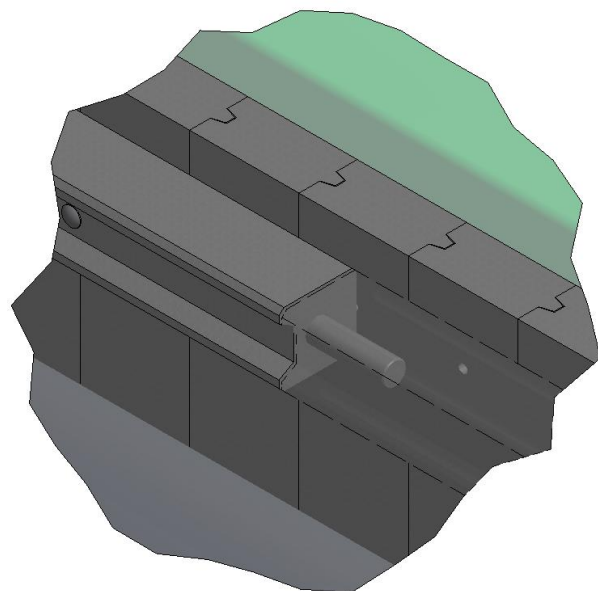
Our range also offers **KLP®-S Steel Reinforced Fenders** for a rigid construction. A total solution to your piling and bank support needs.

The KLP®-S Fender is equipped with steel reinforcement, leading to a rigidity equivalent to that of hardwood. You can simply align the fender by fixing it to the dam-wall shelf, because the fender is easy to drill.



### Advantages KLP® Combi Pile Planking:

- Sustainable
- Environmentally friendly
- Maintenance free
- Recyclable
- Impact resistant
- High rigidity
- UV, water and weather resistant
- Easy to apply using standard tools
- Wood from sustainably managed forests
- Expected technical lifetime of at least 50 years



#### KLP® Combi Pile Planking type 12/7,5

- A. Plastic part : 22,5 x 12 x 100/150 cm
- B. Wood part : 22,5 x 7,5 x max. 486 cm
- C. Maximum, total length : 586 cm

#### KLP® Combi Pile Planking type 9/5

- A. Plastic part : 23,3 x 9 x 100/150 cm
- B. Wood part : 23,3 x 5 x max. 295 cm
- C. Maximum, total length : 395 cm

#### KLP®-S Steel Reinforced Fender

- Size : 16 x 15 x 500 cm
- (with recess, peg & hole connection)

#### KLP® Sheet Pile Wedge

- Size : 15/11 x 12 x 400 cm
- : 15/11 x 9 x 400 cm

**Durable & Environmentally friendly**