

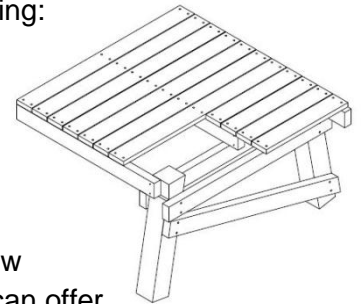
## KLP<sup>®</sup> Landing Stages & Jetties



Landing stages and jetties made from recycled **KLP<sup>®</sup> Deck** have the charm and usability of wood plus the durability of plastics. The material has a minimum technical lifetime of 50 years and is maintenance free. Calculated over the whole technical lifespan, you are better off financially with KLP<sup>®</sup>.

With the following parts you can construct a KLP<sup>®</sup> Landing:

- KLP<sup>®</sup> Pile heads
- KLP<sup>®</sup> Cross-supports & Struts
- KLP<sup>®</sup> Steel reinforced beams
- KLP<sup>®</sup> Deck

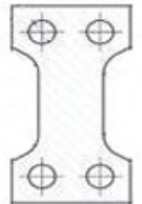


A total landing solution completely made from KLP<sup>®</sup>, how durable can it get. By using recycled plastic waste, we can offer higher quality products and help support the environment.

Compared to wood applications KLP<sup>®</sup> recycled plastic is even extremely safe as the material does not splinter and its anti slip properties are twice as good, especially in wet weather conditions. We produce KLP<sup>®</sup> Deck parts that allows you to walk around carefree, even barefoot. KLP<sup>®</sup> Deck is suitable for applications in, among others, bridges, platforms and walkways.



By using KLP<sup>®</sup>-Steel Reinforced Plastic Beams it is possible to construct landing stages with much larger spans. This means that - compared to traditional construction - fewer poles are needed, leading to significant savings on the overall material and construction costs.



As well as offering a complete range of individual components for constructions, such as jetties, we also offer a complete design engineering solution for which we have our own project managers and R&D department with the right know-how. We advise, calculate, design, produce, assemble and pre-fabricate



*Durable & Environmentally friendly*



### KLP® Deck Planks- profiled

15 x 3,0 x 300 cm  
 15 x 3,0 x 390 cm  
 18 x 3,9 x 325 cm  
 20 x 4,7 x 325 cm  
 20 x 4,7 x 390 cm

### KLP®-V Glass Fiber Reinforced Deck

20 x 4,7 x 325 cm  
 20 x 4,7 x 390 cm

### KLP® Cross-supports & Struts

15 x 5 cm, 16 x 8 cm KLP®  
 15 x 5 cm, 16 x 8 cm KLP®-V glass fiber reinforced  
 14,5 x 7 cm, 16 x 8 cm KLP®-S steel reinforced

### KLP®-S Steel Reinforced Beams

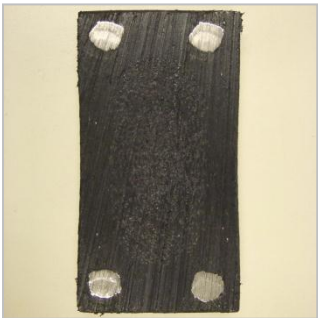
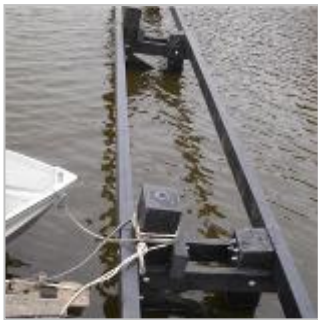
13 x 7 x 400 cm KLP®-S I-beam  
 16 x 8 x 405 cm KLP®-S Beam  
 16 x 8 x 400 cm KLP®-S Beam (arch: 0,8 cm)  
 18 x 8 x 505 cm KLP®-S Beam  
 24 x 9 x 500 cm KLP®-S Beam (arch: 2,0 cm)

### KLP® Hollow Pile Heads (with timber posts)

90 x 20 x 20 cm  
 120 x 20 x 20 cm  
 150 x 20 x 20 cm  
 175 x 20 x 20 cm  
 120 x 20 x 20 cm, with bevelled edges

Bottom part inside: Ø18,3 x 74 cm for timber post  
 with head diameter of Ø18 cm.

*Construction calculations according to Eurocode  
 (NEN-EN 1990/1991).*



With arched  
beams and  
arched deck!

### Advantages of KLP®:

- Sustainable
- Environmentally friendly
- Anti-slip properties
- Maintenance free
- Easy to process
- No rotting or splintering
- Recyclable
- UV, water and weather resistant
- Minimum technical lifetime of 50 years

*Durable & Environmentally friendly*