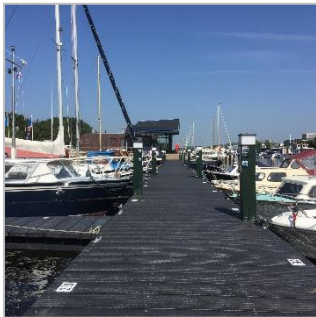
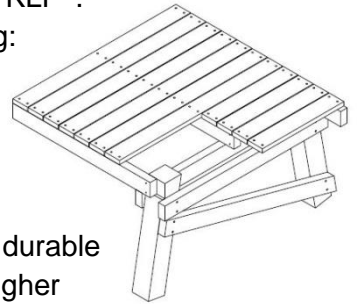


KLP® Landing Stages & Jetties



Landing stages and jetties made from recycled **KLP® Deck** have the charm and usability of wood plus the durability of plastics. The material has an expected technical lifetime of at least 50 years and is maintenance free. Calculated over the whole technical lifespan, you are better off financially with KLP®. With the following parts you can construct a KLP® Landing:

- KLP® (Hollow) Pile heads
- KLP® Cross-supports & Struts
- KLP®-S Steel Reinforced Beams
- KLP®/ KLP®-V Deck



A total landing solution completely made from KLP®, how durable can it get. By using recycled plastic waste, we can offer higher quality products and help support the environment. Compared to wood applications KLP® recycled plastic is even extremely safe as the material does not splinter and its anti-slip properties are twice as good, especially in wet weather conditions. We produce KLP® Deck parts that allows you to walk around carefree, even barefoot. KLP® Deck is suitable for applications in, among others, bridges, platforms and walkways.



By using KLP®-S Steel Reinforced Plastic Beams it is possible to construct landing stages with much larger spans. This means that, compared to traditional construction, fewer poles are needed, leading to significant savings on the overall material and construction costs.



As well as offering a complete range of individual components for constructions, such as jetties, we also offer a complete design engineering solution for which we have our own project managers and Engineering department with the right know-how. We advise, calculate, design, produce, assemble and pre-fabricate.



Lankhorst offers in-house production facilities to Empatec, a social enterprise that provides meaningful and gainful employment to people with learning and employment difficulties. In their workshop many standard recycled plastic products are customized by means of sawing, milling and prefabrication. These activities have now been integrated in our primary process.

Durable & Environmentally friendly



KLP® Deck Planks- profiled

15 x 3,0 x 300 cm
 15 x 3,0 x 390 cm
 18 x 3,9 x 325 cm
 20 x 4,7 x 325 cm
 20 x 4,7 x 390 cm

KLP®-V Glass Fiber Reinforced Deck

20 x 4,7 x 325 cm
 20 x 4,7 x 390 cm

KLP® Struts

15 x 5 cm, 15 x 7 cm, 16 x 8 cm

KLP®-S Cross-supports

14,5 x 7 cm, 16 x 8 cm KLP®-S steel reinforced

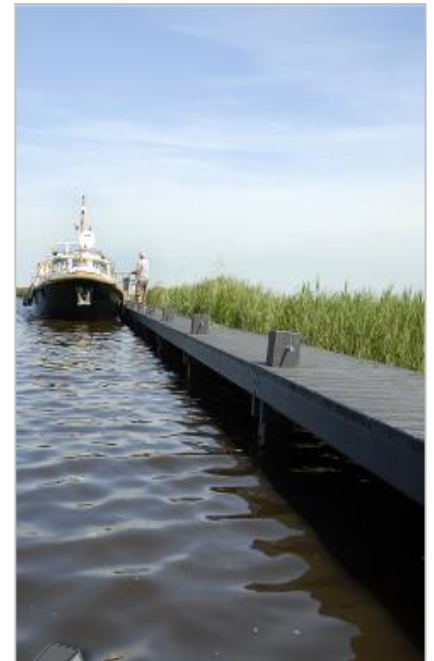
KLP®-S Steel Reinforced Beams

13,5 x 7 x 400 cm	KLP®-S I-beam
16 x 8 x 405 cm	KLP®-S Beam
16 x 8 x 400 cm	KLP®-S Beam (arch: 0,8 cm)
18 x 8 x 505 cm	KLP®-S Beam
24 x 9 x 500 cm	KLP®-S Beam (arch: 2,0 cm)
25 x 15 x 520 cm	KLP®-S Beam

KLP® Hollow Pile Heads (with timber posts)

20 x 20 x 90/170 cm
 20 x 20 x 120/200 cm
 150 x 20 x 150/230 cm
 175 x 20 x 175/255 cm

Hollow round bottom part inside: Ø18,3 x 74cm for timber post with head diameter of Ø18cm (wooden pole goes into hollow part).



Construction calculations according to Eurocode (NEN-EN 1990/1991).

KLP® Pile Heads (solid round bottom part)

19,5 x 19,5 x 70 cm
 19,5 x 19,5 x 120 cm
 19,5 x 19,5 x 150 cm

Solid round bottom part outside Ø18,5 x 50cm for timber post with head diameter of Ø18cm (wooden pole goes into steel sleeve).



Advantages of KLP®:

- Sustainable
- Environmentally friendly
- Anti-slip properties
- Maintenance free
- Easy to process
- No rotting or splintering
- Recyclable
- UV, water and weather resistant
- Expected technical lifetime of at least 50 years

Durable & Environmentally friendly