

KLP[®] Façade Panels



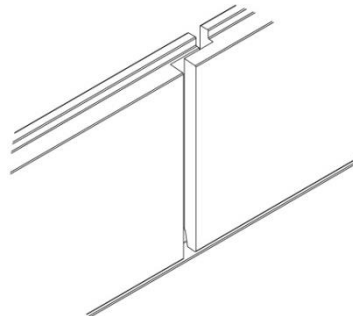
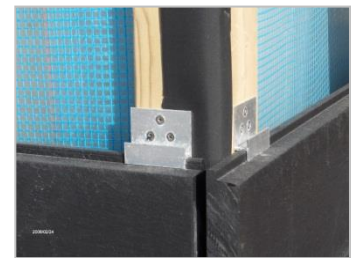
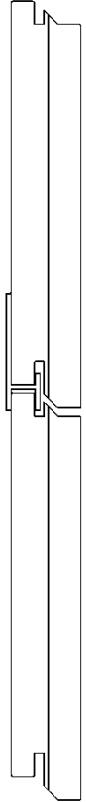
KLP[®] Façade panels can be applied on office or school buildings, houses, sheds and garden partitions. Both horizontal and vertical mounting is possible. The panels are mounted by means of an aluminium H profile which not only provides invisible fixing, but will also allow for natural expansion and contraction.

The panels are produced from recycled, polyolefin plastics. KLP[®] has the charm and usability of wood and the lifespan of plastics.

The sustainable material is very strong, is UV and weather resistant and has a minimum technical lifetime expectancy of 50 years. After years of sunshine, rain and frost the construction of KLP[®] will remain as good as new. Furthermore the material is easy to clean and does not require painting. Valuable savings are calculated over the entire technical lifespan - not only time, but also money.

Due to the material's properties the facades have a very special appearance. This is emphasised even more by using anthracite-black planks and by the surface structure of KLP[®]. The fibre structure of KLP[®] gives depth to the plank thus giving it a natural appearance.

KLP[®] can easily be sawn, drilled, planed, nailed, stapled and screwed. We gladly offer you fitting instructions and advice on installation.



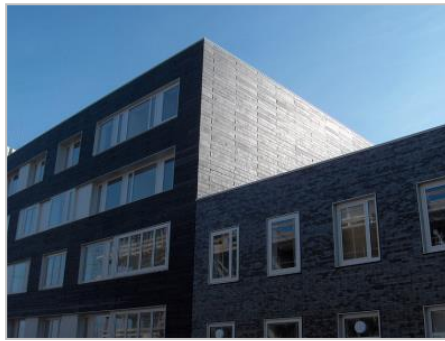
Durable & Environmentally friendly

KLP® Façade Panel - Fire Class B according to NEN-EN 13501-1

Façade panel width	: 138, 166, 198 mm
Working width	: 140, 168, 200 mm
Working length	: 2687 mm
Thickness	: 30 mm
Material	: solid polyolefin plastics
Expansion coefficient	: ca. 1,2 mm/m/10°C
Weight	: ca. 37 kg/m ²
Density	: ca. 1250 kg/m ³
Colour	: anthracite-black

KLP® Façade Panel - Fire Class 3 according to NEN 6065

Façade panel width	: 136, 164, 196 mm
Working width	: 138, 166 en 198 mm
Working length	: 2687 mm
Thickness	: 30 mm
Material	: solid polyolefin plastics
Expansion coefficient	: ca. 1,5 mm/m/10°C
Weight	: ca. 27 kg/m ²
Density	: ca. 800 kg/m ³
Colour	: anthracite-black



Advantages of KLP®:

- Sustainable
- Environmentally friendly
- Maintenance free
- Easy to process
- No rotting or splintering
- Recyclable
- UV, water and weather resistant
- Minimum expected technical lifetime of 50 years

Durable & Environmentally friendly